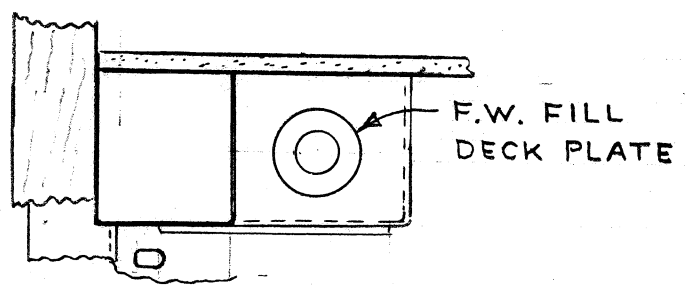
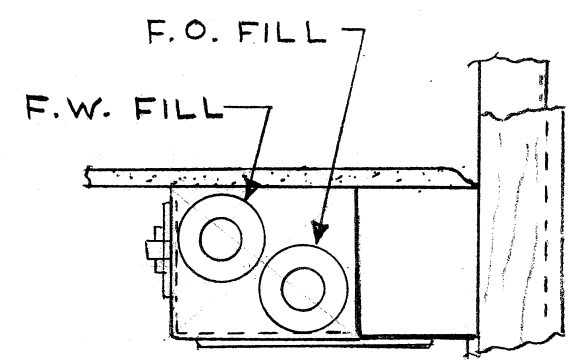


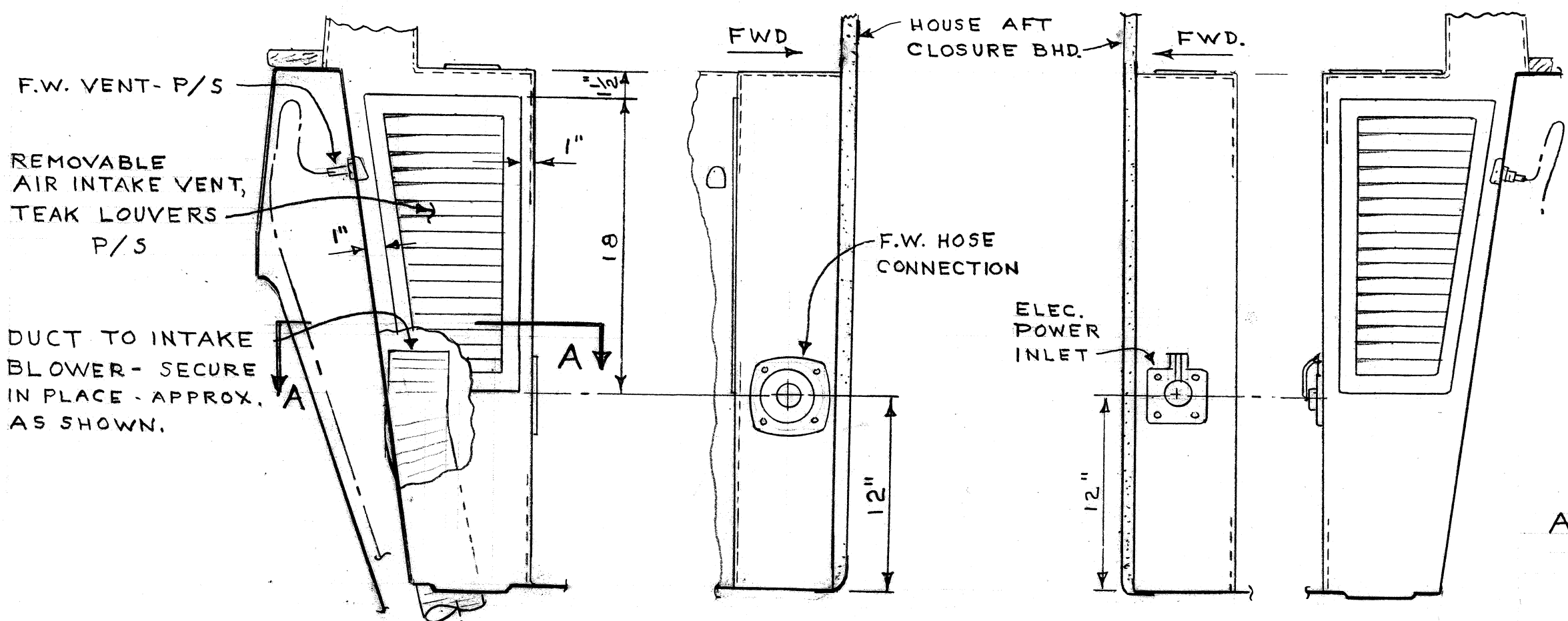
SECTION @ A-A



PLAN VIEW



PLAN VIEW



LKG. FWD. PORT VENT

LKG. FWD. STBD. VENT

DRAWING FOR CUSTOMER REFERENCE ONLY
 Actual construction may vary.
 Specifications and equipment subject to change.
 Items indicated not necessarily provided.

**AIR INTAKE VENT
 MANATEE 36**

SCALE: 1 1/2" = 1'-0"
 DATE: 12/10/83