

▲	FLY BRIDGE PANEL REVISED.	5-5-87
▲	REVISED A.C. PANEL TO "AS BUILT" CONDITION	6/27/87
▲	REVISED BATTERY BOX DIMENSION	1/13/83
▲	MISC. CIRCUIT REVISIONS	
▲	ADDED REFRIG. TO A.C. PANEL & RECEPT. IN MODEL 'B'	
▲	ADDED BATTERY SPECIFICATIONS	
▲	CHANGED 115V BREAKERS TO SINGLE POLE	12/9/82

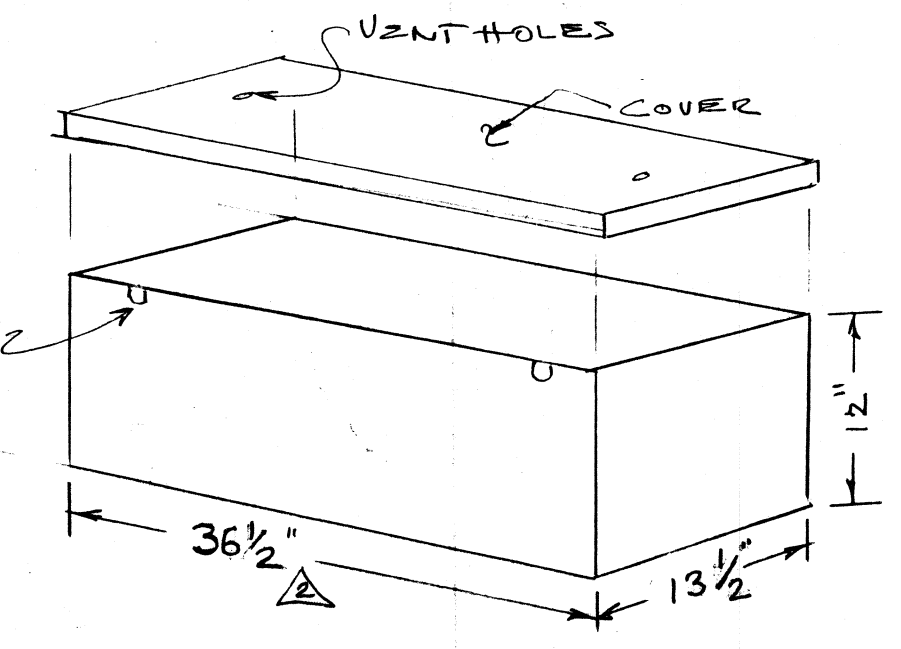
JAMES S. KROGEN & CO., INC. • KADEY-KROGEN
 NAVAL ARCHITECTS • MARINE ENGINEERS • YACHTS, INC.
 3333 RICE STREET
 MIAMI, FLORIDA 33133

ELECTRICAL DIAGRAM
A.C. & D.C. SYSTEMS
MANATEE 36

DATE 11/29/82 C.A. • CHECKED
 SCALE NONE • APPROVED
 DWG. NO. 473-14
 ALT. NO. ▲

SYMBOL	DESCRIPTION	FIG. NO.	QTY.	STD. MOD. 'B'
—	FLUORESCENT - HORIZONTAL	10-2462	4	2
⊗	DOME LIGHT - 5 1/2" DIA.	10-2402	11	1P
+	RECEPTACLE - 110V DOUBLE		9	12 ▲
⏏	SINGLE SWIVEL LIGHT	10-2162-9	3	2
⏏	POWER INLET, 3-WIRE, 30AMP, 125V, HUBBEL CAT. NO. 60CM61		1	1

- NOTES:**
- ALL LIGHTS ARE 12V D.C.
 - FIXTURE FIG. NOS. SHOWN ARE FROM: BASS PRODUCTS, P.O. BOX 901, MARBLEHEAD, MASS. 01945



▲ FIBERGLASS BATTERY BOX
 INSIDE DIMENSIONS SHOWN

DRAWING FOR CUSTOMER REFERENCE ONLY
 Actual construction may vary.
 Specifications and equipment subject to change.
 Items indicated not necessarily provided.

THIS DRAWING AND THE INFORMATION CONTAINED HEREON IS AND REMAINS THE PROPERTY OF JAMES S. KROGEN & CO., INC. AND IS NOT TO BE USED FOR ANY OTHER PURPOSE THAN THAT FOR WHICH IT IS SPECIFICALLY FURNISHED.