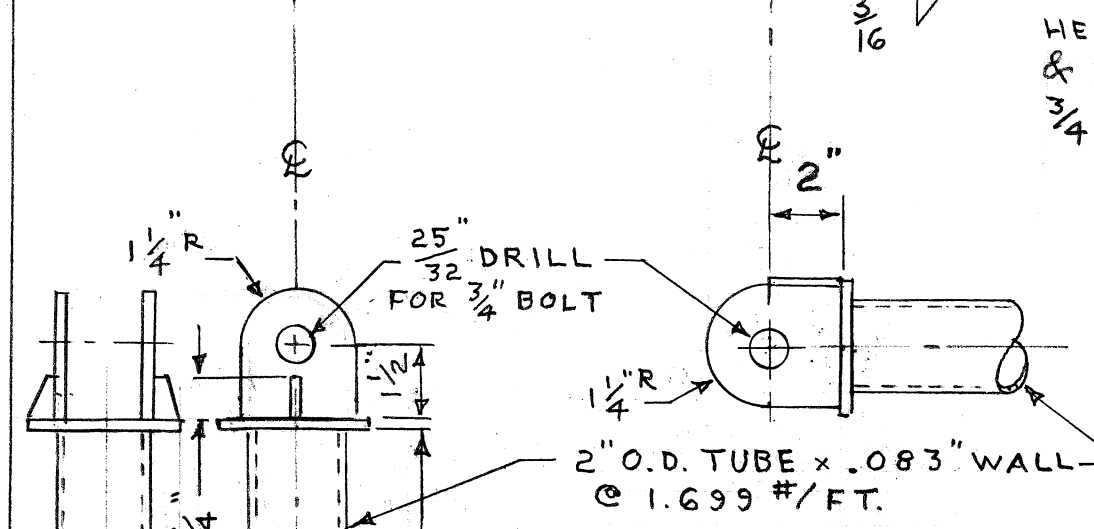
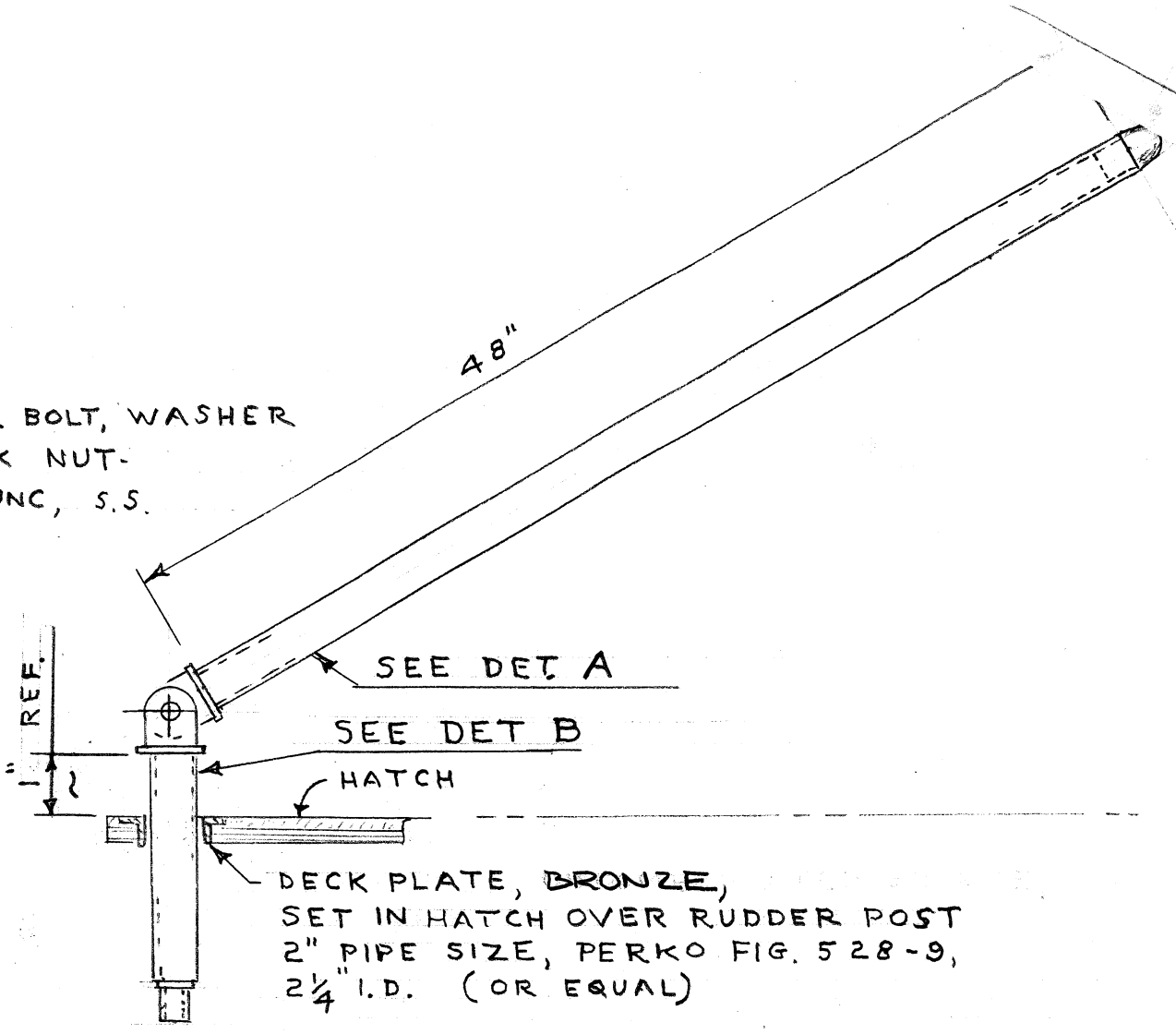


HEX HD. BOLT, WASHER
& LOCK NUT-
3/4-10 UNC, S.S.



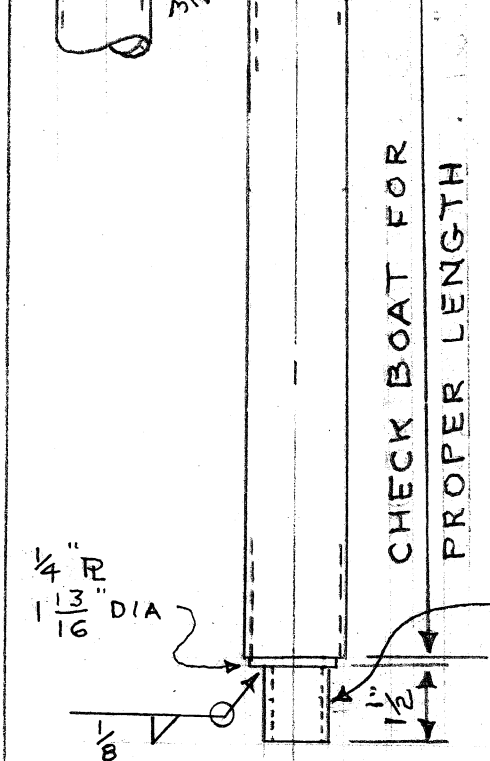
DETAIL A
SCALE: 3"=1'-0"



TILLER ASSEMBLY
SCALE: 1 1/2"=1'-0"

GENERAL NOTES

- 1 MATERIAL: STAINLESS STEEL TYPE 316L
- 2 ESTIMATED WEIGHT, APPROX. 11 LBS.
- 3 ORIENT SQ. TUBE SO THAT TILLER IS FACING FORWARD



CHECK BOAT FOR
PROPER LENGTH

ON 36 FT. MANATEE: SQ. TUBE, SIZE TO SUIT
ON 42 FT. TRAWLER: 1 1/4" O.D. SQ. TUBE X .120" WALL

DETAIL B
SCALE: 3"=1'-0"

JAMES S. KROGEN AND CO., INC
MARINE ARCHITECTS AND MARINE ENGINEERS

DRAWING FOR CUSTOMER REFERENCE ONLY
Actual construction may vary.
Specifications and equipment subject to change.
Items indicated not necessarily provided.

EMERGENCY TILLERS FOR 36 FT. MANATEE & 42 FT. TRAWLER	
SCALE: AS NOTED	
DATE: 7/15/87	