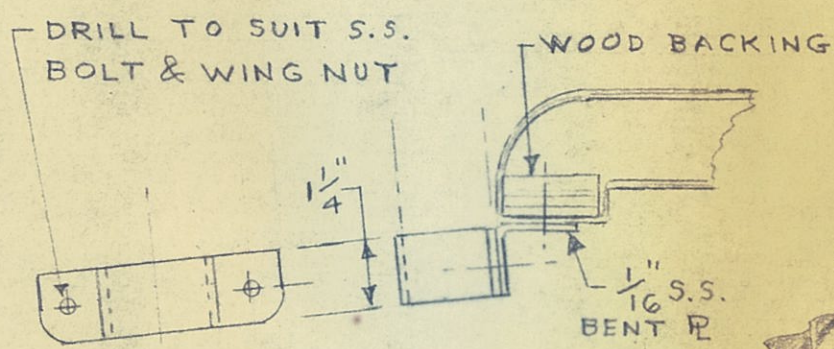
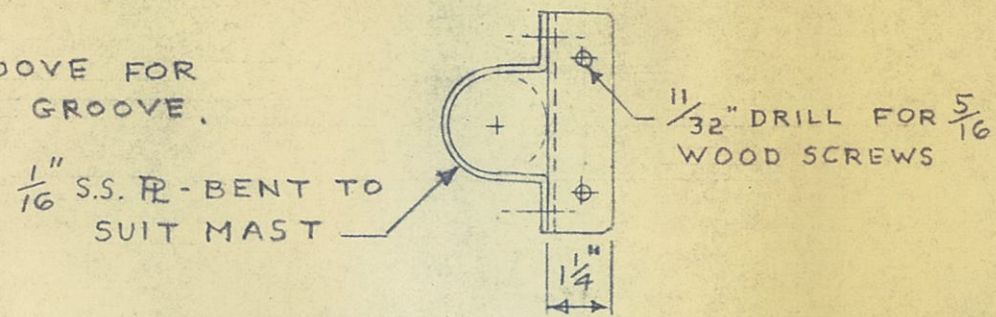
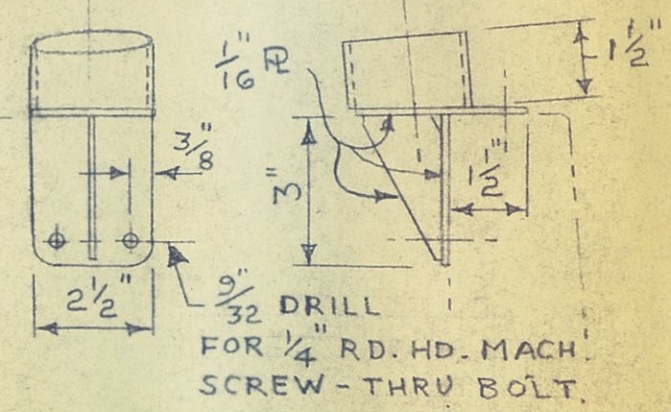
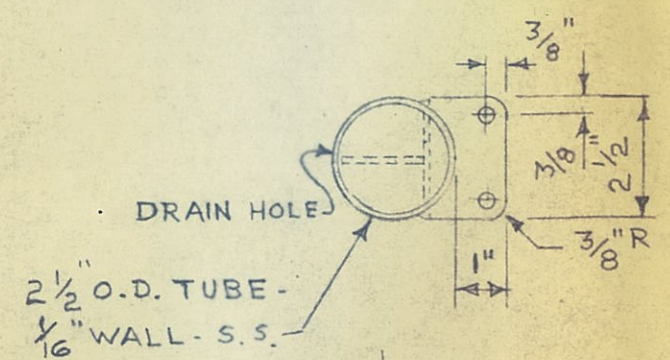


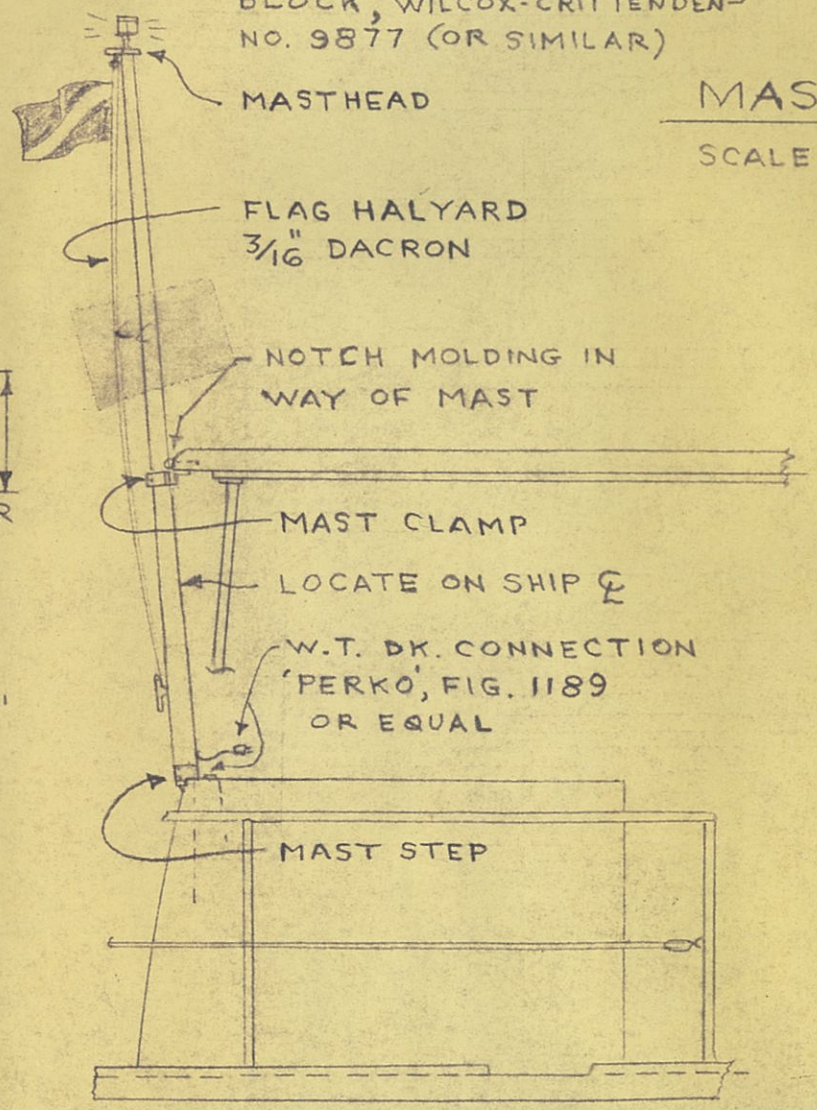
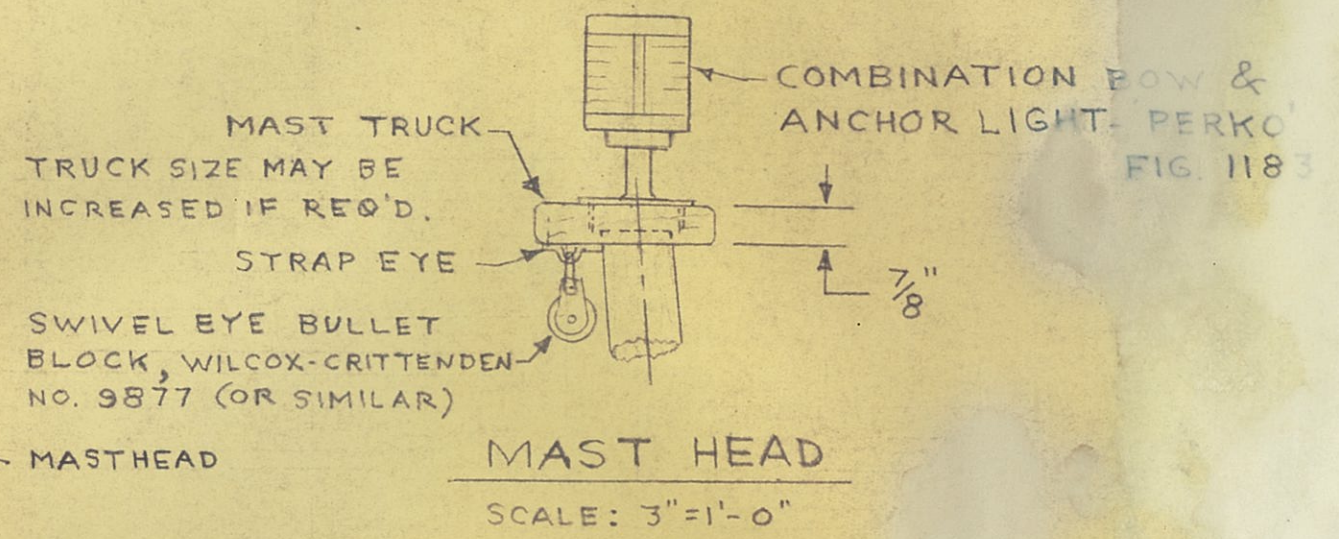
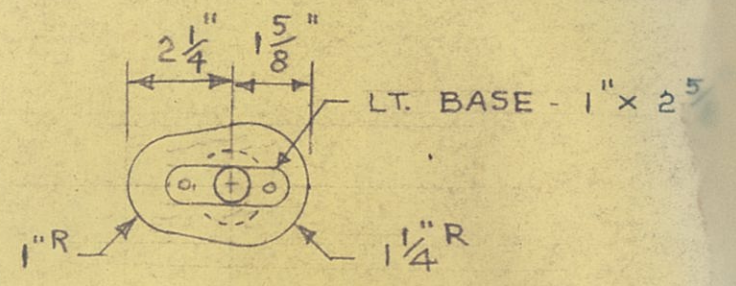
**MAST**  
MATERIAL: SPRUCE  
SCALE: 1" = 1'-0"  
VARNISH - 5 COATS



**MAST CLAMP**  
SCALE: 3" = 1'-0"



**MAST STEP**  
SCALE: 3" = 1'-0"



**PROFILE**  
SCALE: 1/2" = 1'-0"

**GENERAL NOTES**  
1 ALL STAINLESS STEEL (S.S.) TO BE TYPE 316

**MAST DETAIL**  
MANATEE 36

SCALE: AS NOTED  
DATE: 2/10/83