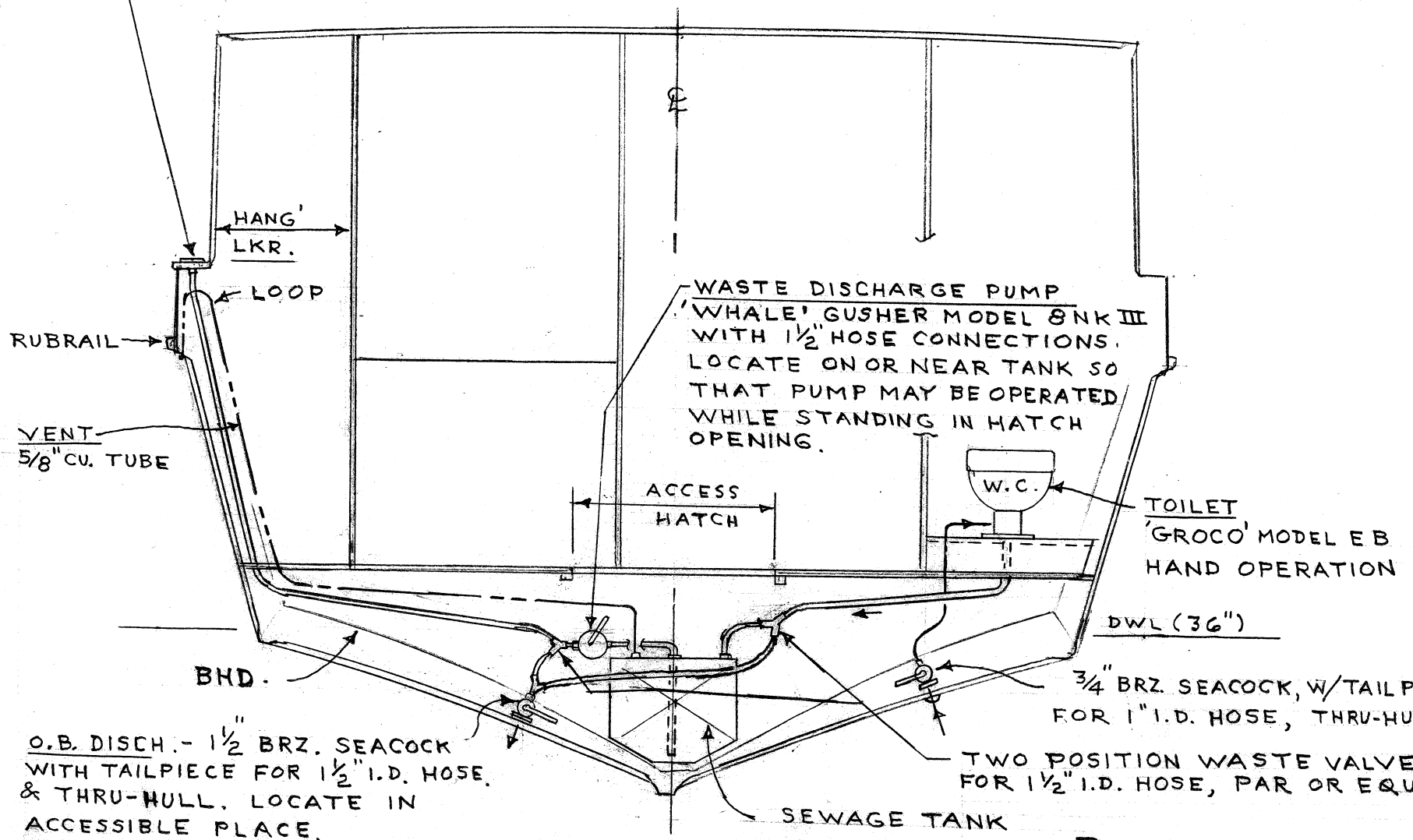


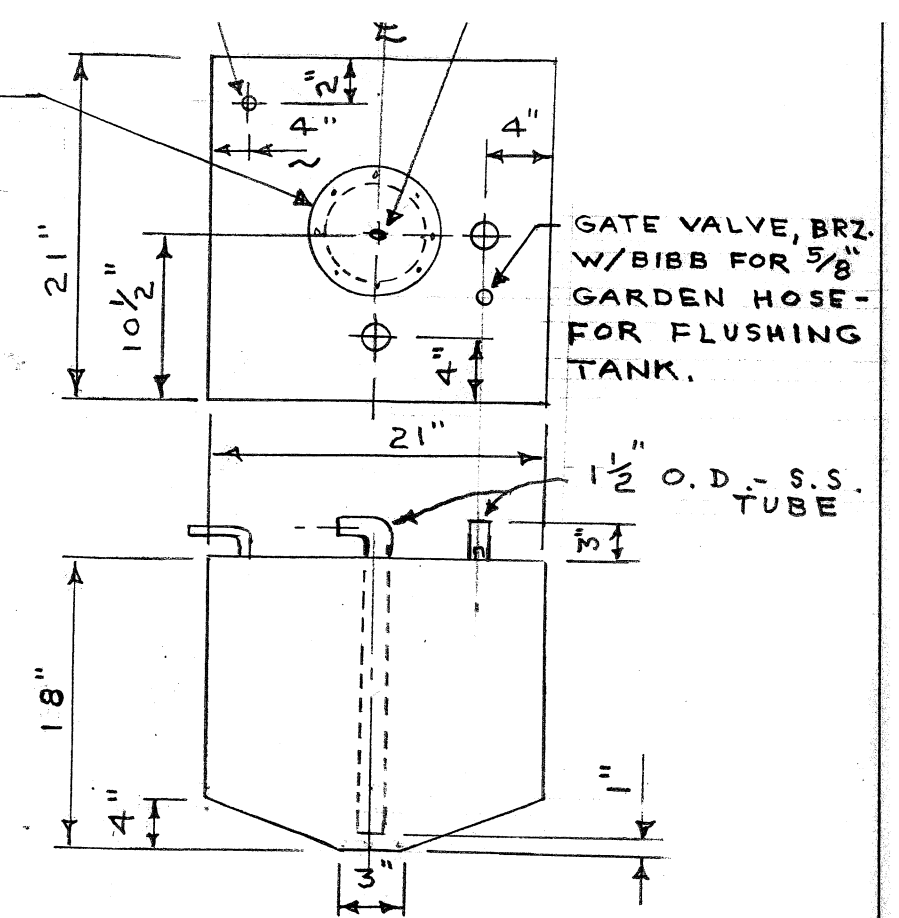
WASTE FITTING FOR PUMP-OUT, 'PERKO' FIG. 524 OR EQUAL. LOCATE HOSE IN AFT CORNER OF LKR. - IN MODEL 'B' RUN HOSE OUTBOARD OF GALLEY COUNTER.

**PLAN VIEW**



STA. 3 - LKG. FWD.

6" I.D. BOLTED CLEAN-OUT HOLE



**SEWAGE HOLDING TANK**

DIMENSIONS SHOWN ARE TO INSIDE. CAPACITY = 31 GALS. MATERIAL: S.S. TYPE 316 - .100" THICK.

**GENERAL NOTES**

- 1 SYSTEM FOR STANDARD MODEL IS SHOWN. MODEL 'B' IS SIMILAR, LOCATE TANK JUST FWD. OF GALLEY HATCH.
- 2 A TANK LEVEL GAUGE, "TANK TENDER", & TANK UNIT IS TO BE INSTALLED NEAR ELEC. PANEL. SEE DWG 473-7 FOR CONNECTION DETAIL.
- 3 USE TWO ALL S.S HOSE CLAMPS ON ALL UNDERWATER HOSE ATTACHMENTS

**SEWAGE SYSTEM  
MANATEE 36**

**DRAWING FOR CUSTOMER REFERENCE ONLY**  
Actual construction may vary.  
Specifications and equipment subject to change.  
Items indicated not necessarily provided.

SCALE: NONE  
DATE: 12/27/82

21-F